

A UNIQUE SIGNUM SWITCH FOR CHAOS AND HYPERCHAOS

Chunbiao Li
School of Electronic & Information
Engineering
Nanjing University of Information Science
& Technology
China
goontry@126.com

Wesley Thio
Department of Electrical and Computer
Engineering
The Ohio State University
USA
wesley.thio@gmail.com

Julien Clinton Sprott
Department of Physics
University of Wisconsin–Madison
USA
csprott@wisc.edu

Huanqiang Zhu
Department of Physics
Secondary Specialized School of Nanjing-
Pukou
China
zhuhqiang@163.com

Abstract

A new piecewise-linear element with the form of $x\text{sign}(y)$ is applied for chaos and hyperchaos. By the use of some diodes, resistors and operational amplifiers, a unique signum element with a signal line and a control line is applied to take the place of a multiplier and realize switchable piecewise-linearity. Correspondingly, the hyperchaotic circuit with two piecewise-linear elements is designed without multipliers or inductors, which are customarily present in other hyperchaotic circuits, and thus this circuit has not been previously reported.

Key words

Piecewise-linear; signal line; control line; hyperchaos.

1 Introduction

It is well known that nonlinearity is necessary for a system to display chaos or hyperchaos. Sprott have proposed a series of well-known simple chaotic systems [Sprott, 1994, 1997, 2010; Sprott and Linz, 2000; Linz and Sprott, 1999], which correspondingly lead to simple chaotic circuits. The simplest chaotic circuits are constructed from the systems with a signum or an absolute-value element [Sprott, 20002]. In general, it is difficult to achieve hyperchaos only using signum or absolute-value nonlinearities, and that is why many of the hyperchaotic systems were constructed using extensions of the Lorenz and Rössler systems, in which multipliers are required to realize the quadratic nonlinearities [Ruy, 2007; Si, Cao and Zhang 2011; Wang, Cai, Miao and Tian, 2010; Li and Sprott, 2014; Li, Chen and Wallace, 2005; Wang, Cang, Ochola and Sun, 2012; Rössler,

1979]. Other piecewise-linear hyperchaotic systems [Thamilmaran, Lakshmanan and Venkatesan, 2004; Tsubone and Saito, 1998] look simple, but these systems rely on new circuit elements of negative resistors and inductors, which make the circuit complicated and unsuitable for integration. Chlouverakis and Sprott [Chlouverakis and Sprott, 2006] proposed what may be the algebraically simplest hyperchaotic snap system, but it contains a fifth-order nonlinearity that requires four multipliers to realize.

However, there is a useful type of piecewise-linear factor besides the absolute-value and signum functions, which has the form of $x\text{sgn}(y)$, and the nonlinearity comes from the polarity of y . Even though this kind of nonlinearity can be realized with a multiplier with the input signals x and $\text{sgn}(y)$, it can also be achieved with a switch (Li, Sprott, Thio and Zhu, 2014; Li, Sprott and Thio, 2015), where the polarity of the variable y determines whether the output is x or $-x$. If y is positive, the signal x is selected, and if y is negative, the signal $-x$ is selected. The special piecewise-linear element has value in nonlinear dynamics since cross product terms play a key role in attractor forming and may lead a system to be chaotic or hyperchaotic.

When only the polarity information of any of the variables in a cross-product term is retained, the quadratic term is a special piecewise-linear term with a signum nonlinearity. In this paper, we recur to the unique signum switch for realizing the special type of piecewise-linear factor (Li, Sprott, Thio and Zhu, 2014; Li, Sprott and Thio, 2015), and consequently a new piecewise-linear hyperchaotic system with two

such elements is constructed based on this polarity information, which also has the simple nonlinearity without any quadratic or higher-order polynomials. In Section 2, we describe the piecewise-linear element using the signum function, and by this method, the wide-known diffusionless Lorenz system is transformed into a piecewise-linear system (Li, Sprott and Thio, 2015). By further dimension extension, a new 4-D hyperchaotic system with seven terms is constructed. In Section 3, the corresponding chaotic and hyperchaotic circuits are designed with diodes for the signal switch. Some discussion and conclusions are contained in the last section.

2 Chaos and hyperchaos with piecewise-linearity using polarity information

When the Lorenz system is rescaled as $(x, y, z) \rightarrow (\sigma x, \sigma y, \sigma z + r)$, $t \rightarrow t/\sigma$ and taking $r, \sigma \rightarrow \infty$ while $R = br/\sigma^2$ remains finite, the diffusionless Lorenz system [Van der Maas, 2000; Sprott, 2010] results,

$$\left. \begin{aligned} \dot{x} &= y - x \\ \dot{y} &= -xz \\ \dot{z} &= xy - R \end{aligned} \right\} \quad (1)$$

It happens that the chaos is preserved if the quadratic terms xz and xy in this equation are replaced with signum nonlinearities $-z\text{sgn}(x)$ and $x\text{sgn}(y)$, resulting in the system

$$\left. \begin{aligned} \dot{x} &= y - x \\ \dot{y} &= -z\text{sgn}(x) \\ \dot{z} &= x\text{sgn}(y) - a \end{aligned} \right\} \quad (2)$$

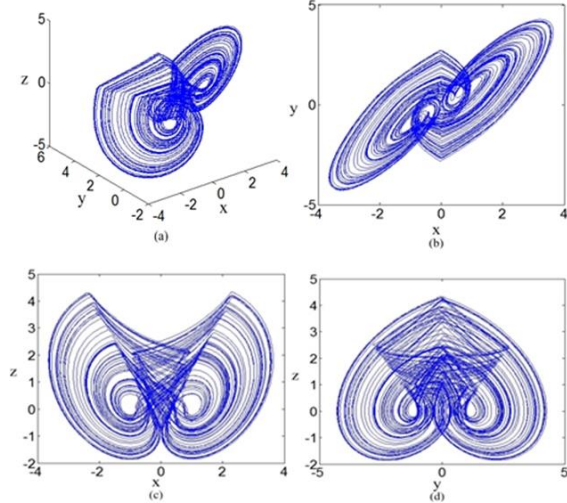


Figure 1. Chaotic attractor from Eq. (2) for initial conditions (0, 1, 0) with LEs (0.131, 0, -1.131), (a) three-dimensional view, (b) x - y phase plane, (c) x - z phase plane, (d) y - z phase plane.

Here polarity information is injected into the quadratic terms in the second and third dimension, where the quadratic nonlinearity turns into a piecewise-linearity, and thus makes a piecewise-linear system, where the only constant parameter a ceases to be a bifurcation control and becomes an amplitude parameter [Li and Sprott, 2013; 2014]. Correspondingly, the parameter a can be set to unity without loss of generality, in which case system (2) gives a chaotic attractor with Lyapunov exponents of (0.131, 0, -1.131), which

resembles the original diffusionless Lorenz system but with discontinuities in the direction of the flow vector as shown in Fig. 1.

By introducing linear feedback from an additional dimension (u) in system (2), a 4-D piecewise-linear system with signum nonlinearities is obtained as follows,

$$\left. \begin{aligned} \dot{x} &= y - x \\ \dot{y} &= -z\text{sgn}(x) + u \\ \dot{z} &= x\text{sgn}(y) - a \\ \dot{u} &= -by \end{aligned} \right\} \quad (3)$$

Like system (2), the above system 4-D system also has amplitude parameter a and a new parameter b that gives bifurcations as shown in Fig. 2.

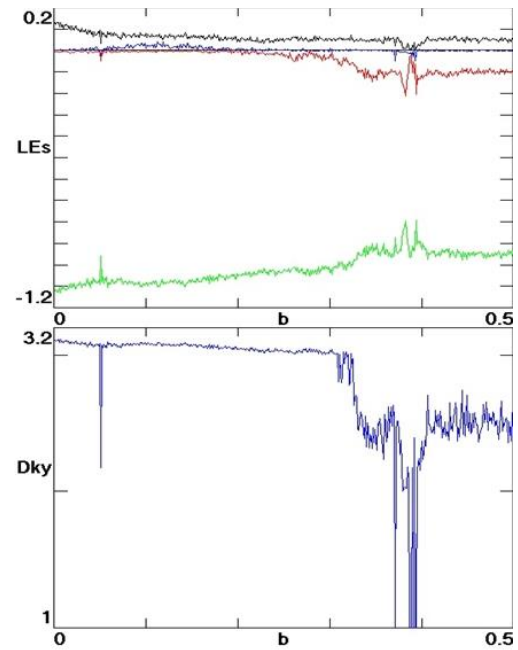


Figure 2. Lyapunov exponents of system (3) versus b at $a = 1$ and the corresponding Kaplan-Yorke dimension.

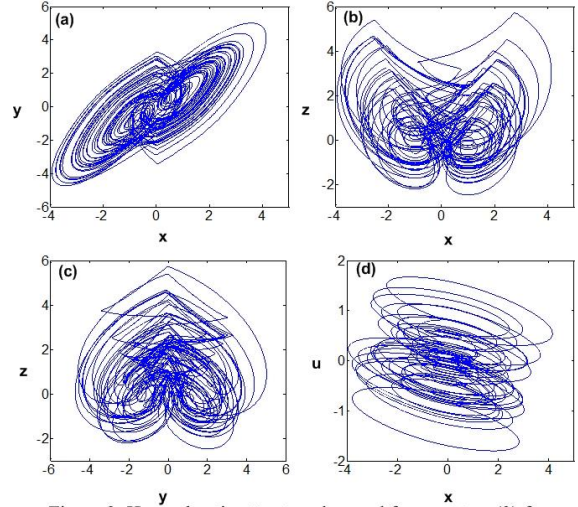


Figure 3. Hyperchaotic attractor observed from system (3) for initial conditions (1, 0, 3, 0) (a) x - y phase plane, (b) x - z phase plane, (c) y - z phase plane, (d) x - u phase plane.

In the region of b in $(0, 0.5]$, system (3) is predominantly chaotic with some hyperchaotic and periodic windows. For example, when $b = 0.38$, the system displays a symmetric limit cycle. When $a = 1$, $b = 0.1$, system (3) is hyperchaotic with Lyapunov exponents of $(0.071, 0.022, 0, -1.089)$ with a hyperchaotic attractor as shown in Fig. 3. The corresponding Poincaré section in the hyperchaotic region has a dimension at least 2.0 as shown in Fig. 4. Since the signum function is not continuous, calculation of the Lyapunov exponents is problematic, but $\text{sgn}(x)$ can be replaced by a smooth approximation given by $\tanh(Nx)$ [Gans, 1995; Sun and Sprott, 2010] with N large without any significant change in the attractor. We believe the calculated Lyapunov exponents are reliable for $N = 250$ if the maximum Runge-Kutta step size is 0.0005 since the values are insensitive to the choice of N .

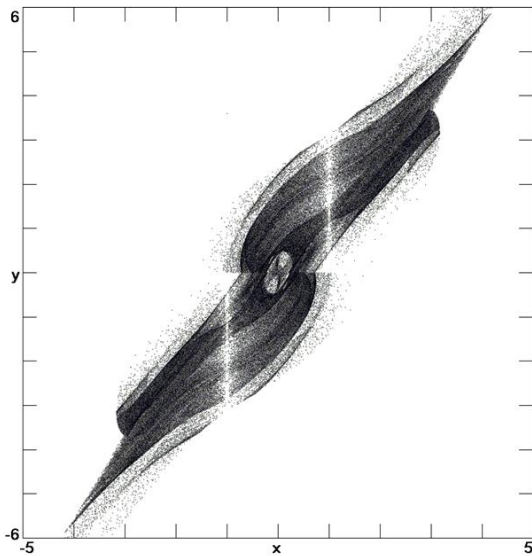


Figure 4. Projection onto the x - y plane of a cross-section of the attractor at $z = 0$ for system (3).

The equations of systems (2) and (3) are simple and elegant. The parameter a is an amplitude parameter, which determines the size of the attractor. When a is positive, system (2) has one equilibrium point at $(a, a, 0)$, which is different from the diffusionless Lorenz system with two equilibrium points. System (3) has no equilibrium points, and thus the resulting periodic, chaotic, and hyperchaotic attractors are “hidden” in the sense that they cannot be found by using an initial condition in the vicinity of an unstable equilibrium [Leonov and Kuznetsov, 2013; Leonov, Vagaitsev and Kuznetsov, 2011]. However, unlike the system with quadratic nonlinearities [Li and Sprott, 2014], the attractor of system (3) is globally attracting (all initial conditions approach it), and so as a practical matter it could hardly be less hidden. These are important features for the operation of the circuit, since the initial capacitor voltages do not matter, it cannot fail to oscillate, and there is no danger of it saturating by unbounded growth of the signals as is typical of other

chaotic circuits with finite and often small basins of attraction.

Since the rate of volume contraction is -1 , systems (2) and (3) are dissipative with solutions as time goes to infinity that contract onto an attractor of zero measure in their state space. Both systems have rotational symmetry with respect to the z -axis as evidenced by their invariance under the coordinate transformation $(x, y, z) \rightarrow (-x, -y, z)$ or $(x, y, z, u) \rightarrow (-x, -y, z, -u)$.

3 Novel structure of switch element with a signal line and a control line

In this section, a new switch element is designed and constructed to realize the polarity reversal associated with the signum function. For the signum nonlinearities $z\text{sgn}(x)$ and $-x\text{sgn}(y)$, the most common electronic implementation method uses multipliers [Yu, Tang, Lü and Chen, 2008; Yu, Lü, Chen and Yu, 2010] such as the example in Fig. 5. An alternative is to use a circuit that can switch when the polarity of a signal changes. The circuit for the implementation of $z\text{sgn}(x)$ will select signal z or $-z$ depending on the polarity of x and send it to the integration channel. Such a circuit can be built with just diodes, resistors, and a few extra operational amplifiers.

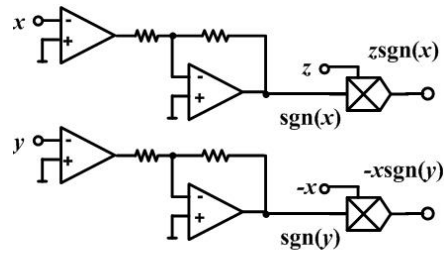


Figure 5. Multipliers to realize the signum operation.

The schematic for this switching circuit is shown in Fig. 6. Signals z and $-z$ pass through a signal line and can be blocked when a voltage source is applied from a control line. Whether the control line will apply this voltage depends on the polarity of the signal x . If x is positive, signal z is blocked and $-z$ will pass through. If it is negative, then $-z$ is blocked and z passes through. If it is zero, both signals z and $-z$ sum to zero. Two independent signals z and $-z$ are selected by the control line to pass, whereas each signal (z or $-z$) occupies two separate signal lines according to its polarity. Another switch with a signal line and a control line realizes the function $x\text{sgn}(y)$. All signal lines have their own independent voltage followers to provide impedance matching.

Four integration channels and the above circuit that models the signum nonlinearity to realize system (3), as shown in Fig. 7. The integration channels are designed by general analog computation methods. The complete circuit of Figs. 6 and 7 will produce a hyperchaotic signal. When $U_7, U_8, C_4, R_5, R_{13}, R_{14}$ and

R_{15} are removed, it realizes system (2) and produces a chaotic signal.

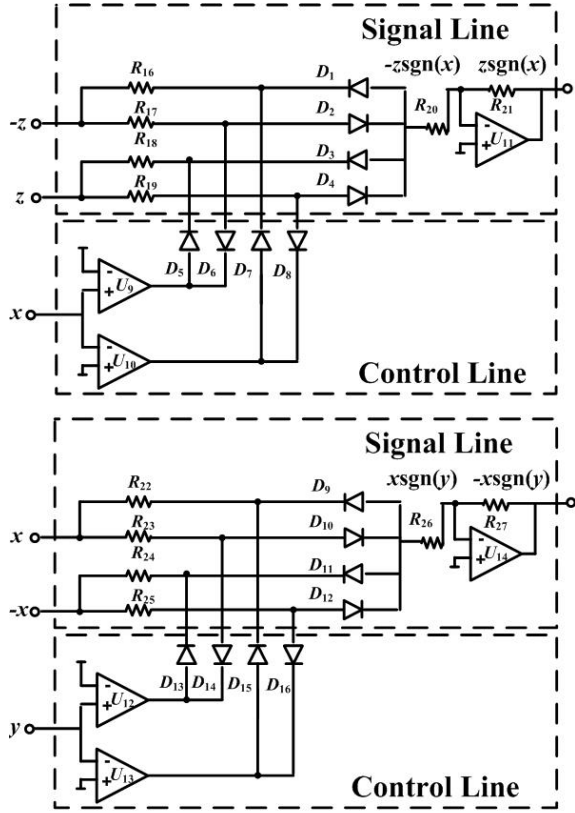


Figure 6. signal line and control line combined to realize the signum operation.

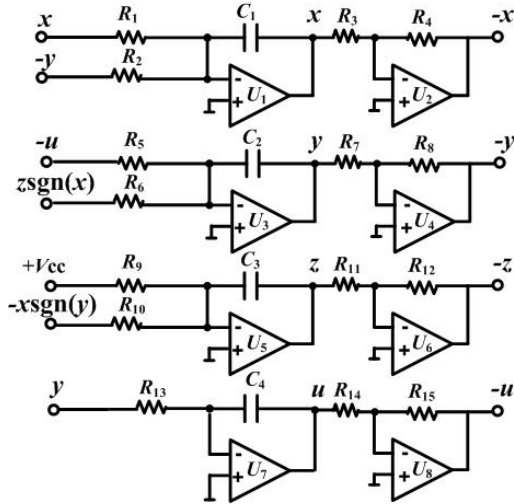


Figure 7. Four integration channels in circuit structure for the 4-D system (3).

Oscilloscope traces from the output of the integration channels are given in Figs. 8 and 9. The circuit parameters are $C_1 = C_2 = C_3 = C_4 = 1\text{nF}$, $R_1 = R_2 = R_3 = R_4 = R_5 = R_7 = R_8 = R_{11} = R_{12} = R_{14} = R_{15} = 100\text{k}\Omega$, $R_{20} = R_{21} = R_{26} = R_{27} = 200\text{k}\Omega$, $R_{16} = R_{17} = R_{18} = R_{19} = R_{22} = R_{23} = R_{24} = R_{25} = 10\text{k}\Omega$, $R_6 = R_{10} = 100\text{k}\Omega$, $R_9 = 900\text{k}\Omega$, $R_{13} = 1\text{M}\Omega$. The operational amplifiers are TL084 ICs powered by ± 9 volts. Germanium diodes 1n60p were used to reduce the influence of threshold voltage and

crossover distortion. Other diodes such as the 1n4148 will not give an attractor that is in such close agreement with numerical results. Operational amplifiers U_{11} and U_{14} are required to provide a current sufficient to drive the corresponding resistors R_6 and R_{10} .

The number of components in the switching circuit can be further reduced by changing the piecewise nonlinearities to remove a control line. For example, if the nonlinearities in system (3) change to $-z \text{sgn}(x-u)$ and $x \text{sgn}(x-u)$, respectively, then the second and third integration channel can share the same control channel. This provides an alternative that will simplify the circuit, but at the expense of making the equations more complicated. However, this kind of channel multiplexing will provide chaos rather than hyperchaos under the same parameters.

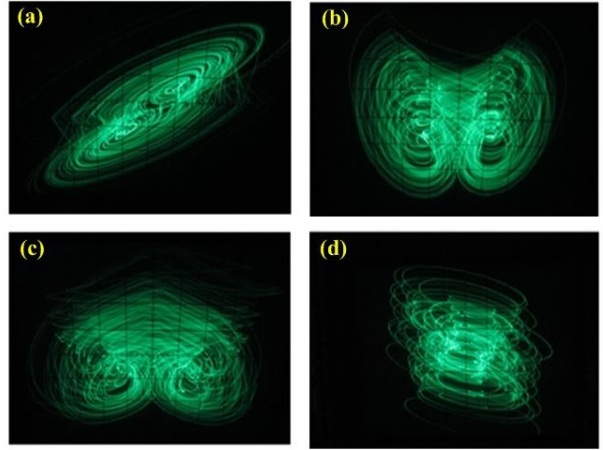


Figure 8. Oscilloscope traces of hyperchaotic attractors of system (3) (a) x - y plane, (b) x - z plane, (c) y - z plane, (d) x - u plane (1V/div).

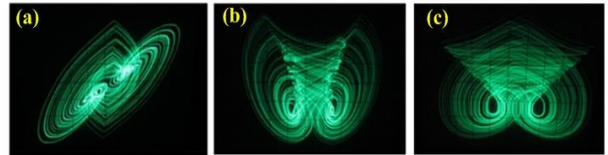


Figure 9. Experimental phase portraits of system (2) (a) x - y plane, (b) x - z plane, (c) y - z plane (1V/div).

4 Discussion and conclusions

The signum function can extract the polarity of variables in quadratic terms, which produces chaos and hyperchaos with a piecewise-linear nonlinearity. This approach gives rise to a new type of hyperchaotic circuit without any multipliers. To implement the piecewise-linear selection, a new structure based only on the signal lines and control lines was designed to replace multipliers. The new structure of the analog signal line and control line applied in this paper provides a valuable circuit element for realizing signum nonlinearities. The corresponding chaotic and hyperchaotic strange attractors show good agreement with numerical simulation. The new designed hyperchaotic circuit with two such signum switches suggests the robustness and accuracy of the unique structure with lines of signal and control.

Acknowledgements

This work was supported financially by the Jiangsu Overseas Research and Training Program for University Prominent Young and Middle-aged Teachers and Presidents, the 4th 333 High-level Personnel Training Project (Su Talent [2011] No.15) and the National Science Foundation for Postdoctoral General Program and Special Founding Program of People's Republic of China (Grant No. 2011M500838 and Grant No. 2012T50456) and Postdoctoral Research Foundation of Jiangsu Province (Grant No. 1002004C).

References

- Chlouverakis, K.E. and Sprott, J.C. (2006). Chaotic hyperjerk systems. *Chaos Soliton Fract*, 28, pp. 739-746.
- Gans, R. F. (1995). When is cutting chaotic?. *J. Sound Vibr.*, 188(1), pp.75–83.
- Leonov, G. A. and Kuznetsov, N. V. (2013). Hidden attractors in dynamical systems from hidden oscillations in Hilbert-Kolmogorov, Aizerman, and Kalman problems to hidden chaotic attractors in Chua circuits. *Int. J. Bifurcat. Chaos*, 23, 1330002, 2013.
- Leonov, G.A., Vagitsev, V.I. and Kuznetsov, N.V. (2011). Localization of hidden Chua's attractors. *Physics Letter A*, 375, pp: 2230–2233.
- Li, C. and Sprott, J.C., (2014). Coexisting Hidden Attractors in a 4-D Simplified Lorenz System. *Int. J. Bifurcat. Chaos*, 24, 1450034.
- Li, C. and Sprott, J.C. (2014). Chaotic flows with a single nonquadratic term. *Phys. Lett. A*, 378, pp. 178-183.
- Li, C. and Sprott, J.C. (2013). Amplitude control approach for chaotic signals. *Nonlinear Dyn.*, pp. 1335-1341.
- Li, C., Sprott, J.C., Thio, W. And Zhu, H (2014). A New Piecewise Linear Hyperchaotic Circuit. *IEEE Trans. on Circ. and Syst.-II: Express Briefs*, 61(12), pp. 977-981.
- Li, C., Sprott, J.C. and Thio, W. (2015). Linearization of the Lorenz system. *Phys. Lett. A*, 379, pp. 888-893.
- Li, Y., Chen, G. and Wallace, K. S. T. (2005). Controlling a Unified Chaotic System to Hyperchaotic. *IEEE Trans. on Circuits Syst. – II: Express Briefs*, vol. 52, pp. 204-207.
- Linz, S.J. and Sprott, J.C. (1999). Elementary Chaotic Flow. *Physics Letters A* 259, pp.240-245.
- Rössler, O. E. (1979). An equation for hyperchaos. *Phys. Lett. A*, vol. 71, pp. 155-157.
- Sprott, J.C. (2010). *Elegant Chaos: Algebraically Simple Chaotic Flows*. World Scientific, Singapore.
- Sprott, J.C. (1994) Some Simple Chaotic Flows. *Phys. Rev. E* 50, pp.R647-R650.
- Sprott, J.C. (1997). Some Simple Chaotic Jerk Functions. *Am. J. Phys.*, 65, pp.537-543.
- Sprott, J.C. (2000). Simple Chaotic Systems and Circuits. *Am. J. Phys.*, 68, pp.758-763.
- Sprott, J.C. and Linz, S.J. (2000). Algebraically Simple Chaotic Flows. *Int. J. Chaos. Theor. Appl.*, 5, pp.3-22.
- Ruy, B. (2007). Dynamics of a hyperchaotic Lorenz system. *Int. J. Bifurcat. Chaos*, vol. 17, pp. 4285-4294.
- Sun, K. and Sprott, J.C. (2010). Periodically forced chaotic system with signum nonlinearity. *Int. J. Bifurcat. Chaos*, 20(5), pp. 1499-1507.
- Thamilmaran, K., Lakshmanan, M. and Venkatesan, A. (2004). Hyperchaos in a modified canonical Chua's circuit. *Int. J. Bifurcat. Chaos*, 14, pp: 221-243.
- Si, G., Cao, H. and Zhang, Y. (2011). A new four-dimensional hyperchaotic Lorenz system and its adaptive control. *Chin. Phys. B*, 20, 010509.
- Tsubone, T. and Saito, T. (1998). Hyperchaos from a 4-D Manifold Piecewise-Linear System. *IEEE Trans. on Circuits Syst.-I: Fundamental Theory and applications*, 45(9), pp. 889-894.
- Van der G., S. and Maas, L.R.M. (2000). The diffusionless Lorenz equations: Shil'nikov bifurcations and reduction to an explicit map. *Phys. Nonlinear Phenom.*, 141, pp. 19-36.
- Wang, H., Cai, G., Miao, S. and Tian, L. (2010). Nonlinear feedback control of a novel hyperchaotic system and its circuit implementation. *Chin. Phys. B*, vol. 19, 030509, 2010.
- Wang, Z., Cang, S., Ochola, E. O. and Sun, Y. (2012). A hyperchaotic system without equilibrium. *Nonlinear Dyn.* 69, pp.531-537.
- Yu, S. Lü, J., Chen, G. and Yu, X. (2010). Design and Implementation of Grid Multiwing Butterfly Chaotic Attractors From a Piecewise Lorenz System. *IEEE Trans. on Circuits Syst. – II: Express Briefs*, 57, pp. 803-807.
- Yu, S., Tang, W. K. S., Lü, J. and Chen, G. (2008). Generation of nm-Wing Lorenz-Like Attractors From a Modified Shimizu–Morioka Model. *IEEE Trans. on Circuits Syst.-II: Express Briefs*, 55, pp. 1168-1172.